

# Tunnelling in Limestone

Two-day training session **23 - 24 June 2013**

**Toaque palace – Diplomatic quarter – Riyadh**

KARSTIC ROCK MASS TUNNELLING  
DESIGN CRITERIA • MECHANIZED  
METHODS • SEGMENT LINING • ROUND  
TABLE • CONVENTIONAL METHODS  
GROUND INVESTIGATION • MONITORING  
GROUND IMPROVEMENT • DURABILITY &  
DESIGN • MANUFACTURERS • MACHINES  
SELECTION • RISK MANAGEMENT

## Host

H.E. Eng. Abdullah Al-Mogbel  
Mayor of Riyadh, President of the ITACET Foundation

## Speakers

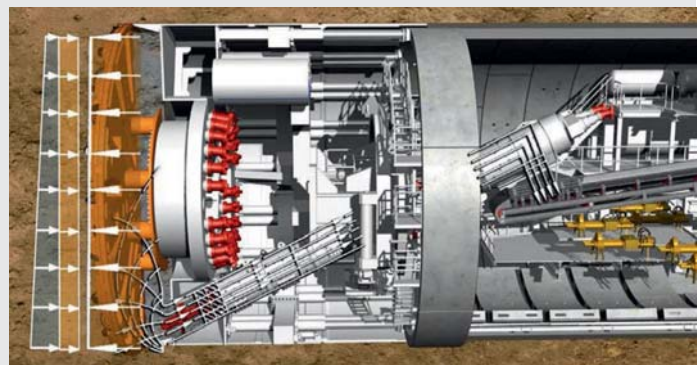
Felix Amberg - CH  
CEO & Owner Amberg group Engineering Ltd

Piergiorgio Grasso - I  
CEO & Owner Geodata S.p.A

Harald Wagner - AT  
Consulting Engineer, Special consultant for ITA-AITES

Special participation of delegates from:  
Herrenknecht AG and The Robbins Company

Designed By Eng. Yaser Nada



**FULL PROGRAM AND REGISTRATION :** [WWW.ITACET.ORG](http://WWW.ITACET.ORG)

**CONTACT:** ITACET Foundation c/o Epfl - 1015 Lausanne, Switzerland  
secretariat@itacet.org | Tel. ++41 21 693 08 67

Scientific committee: ita-cet - [www.ita-aites.org](http://www.ita-aites.org)

Organization: Municipality of Riyadh & ITACET Foundation